

Transponder • CI 101

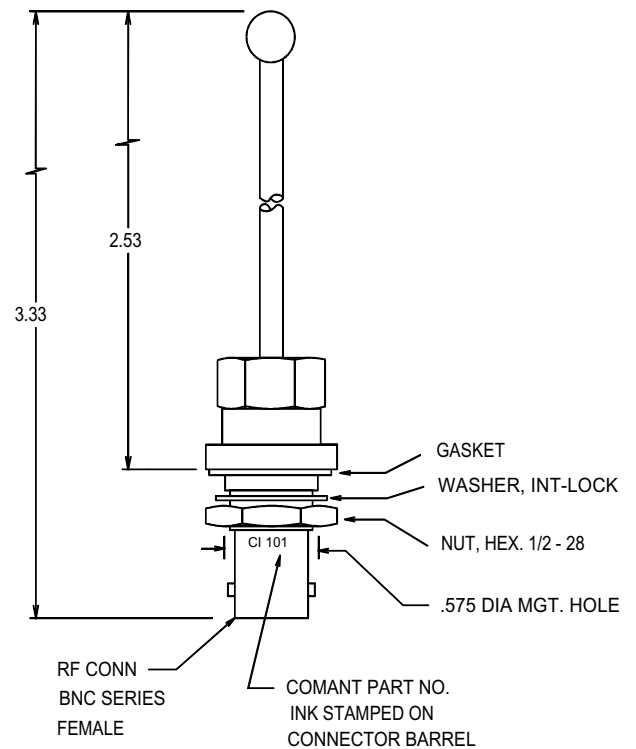
Frequency • 1030-1090 MHz

Transponder antenna with top loaded stub monopole. Antenna radiator is mechanically captivated and is machined from solid brass for impact resistance. Contact points are made from beryllium copper. Metallic parts are plated with bright nickel for corrosion protection. Mounts through a single 0.600" diameter mounting hole.



MODEL - CI 101 Transponder

Electrical	
Frequency	1030 to 1090 MHz
VSWR	1.5:1 1030 MHz / Return Loss 14.0 dB 1.5:1 1090 MHz / Return Loss 14.0 dB
Polarization	Vertical
Radiation Pattern	Equivalent of 1/4 wave stub typical
Impedance RF	50 Ohms
Resistance DC	Open Circuit
Power RF	1.0 KW Peak
Mechanical	
Weight	0.06 lb. Maximum
Height	3.33 in. Maximum
Finish	Tin-nickel Alloy
Connector	BNC (Female)
Environmental	
Temperature	-54C to +55C
Altitude	30,000 ft
Airspeed	300 KTAS
Federal Specifications	
RTCA Env. / MOPS	DO-138
FAA TSO	C74c



Warning: Drawing not to scale. Use factory supplied drawings and specifications for installation. Refer to FAA AC 43.13-2A for installation guidelines. © 2006 Comant Industries, Inc. Patented. Other Patents Pending.