



DESCRIPTION

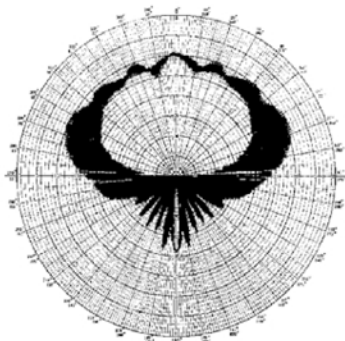
S67-1575-109: Iridium/GPS antenna covers the frequency range from 1565 MHz to 1626.5 MHz for excellent Iridium operation and GPS L1 applications. The low-profile, molded radomes material and design insures superior protection against rain, ice and lightning strikes. DC-grounded and hermetically sealed. Qualified for high-speed military aircraft as well as ARINC applications.

The S67-1575-109 is approved as Iridium Compatible Equipment (ICE).

NSN: 5985-01-507-4547

FEDERAL & MILITARY SPECS: AMS-C-5541, DO-160C, TSO-C129, MIL-E-5400, MIL-STD-810.

RADIATION PATTERN

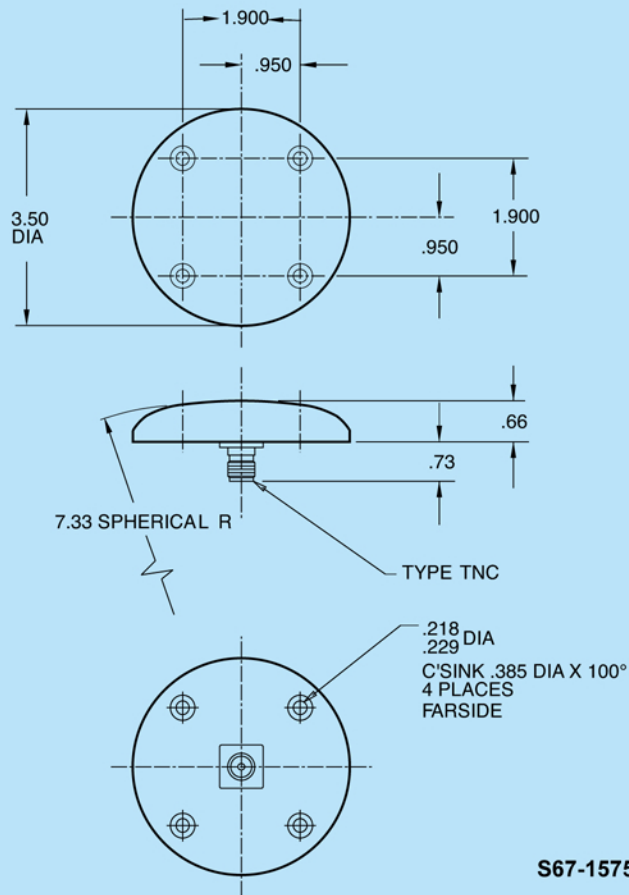


1565 - 1626.5 MHz



SPECIFICATIONS	FOR REFERENCE ONLY
MODEL	S67-1575-109
ELECTRICAL	
Frequency	GPS :1575 +/-10MHz Iridium : 1616 -1626.5 MHz
VSWR	1.5:1
Polarization	RHCP
Impedance	50 ohms
Power Handling	60 watts CW
Gain	+3 dBic @ Zenith
Lightning Protection	DC grounded
MECHANICAL	
Weight	6 oz.
Height	.66 in.
Diameter	3.5 in.
Material	6061-T6 aluminum / thermoset plastic
Finish	Skydrol-resistant enamel
Connector	TNC Female
ENVIRONMENTAL	
Temperature	-67° F to +185° F

OUTLINE DRAWING



S67-1575-109

ISO 9001:2000 and EN/JISQ/AS9100:2004 Registered